

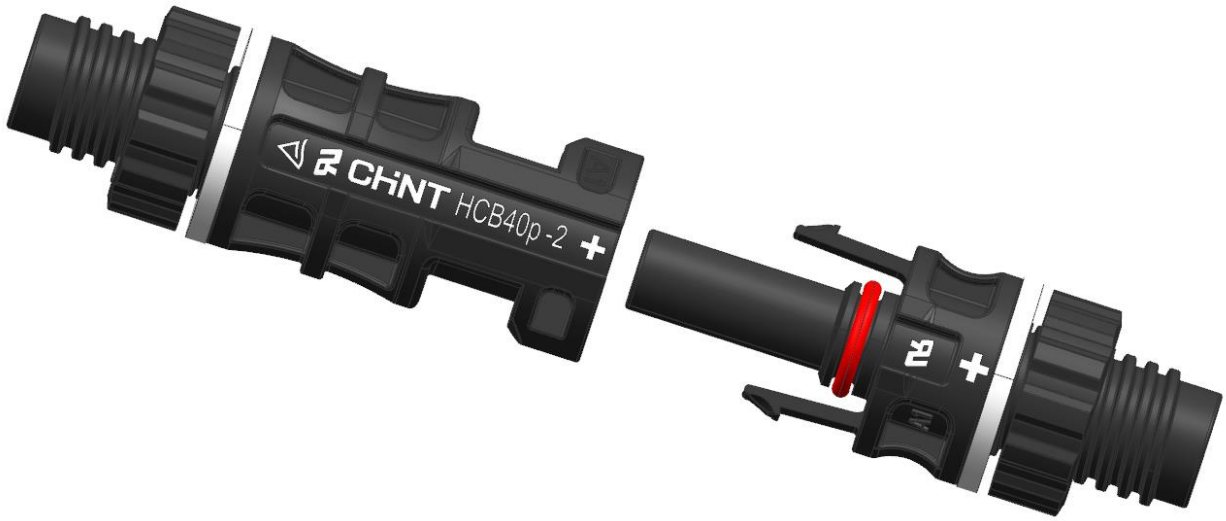
CHINT

新PV-HCB40p-2 – 规格说明书

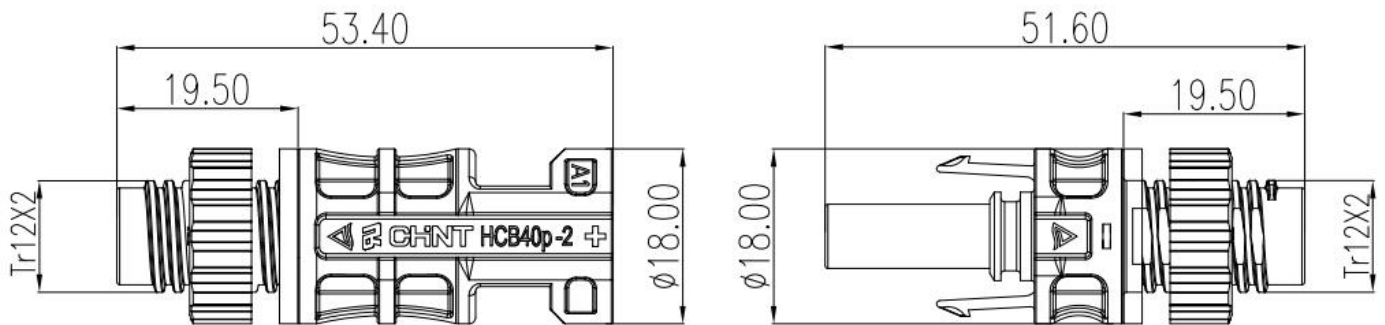
PV connector specification (PV-HCB40p)



Zhejiang Chint Xinhui Photovoltaic Co., Ltd.
Add: No.2 Xiabao Road, Yueqing Bay Port District, Yueqing City, Wenzhou
City, Zhejiang Province, 325609 P. R. China.



外形尺寸 Overall dimensions



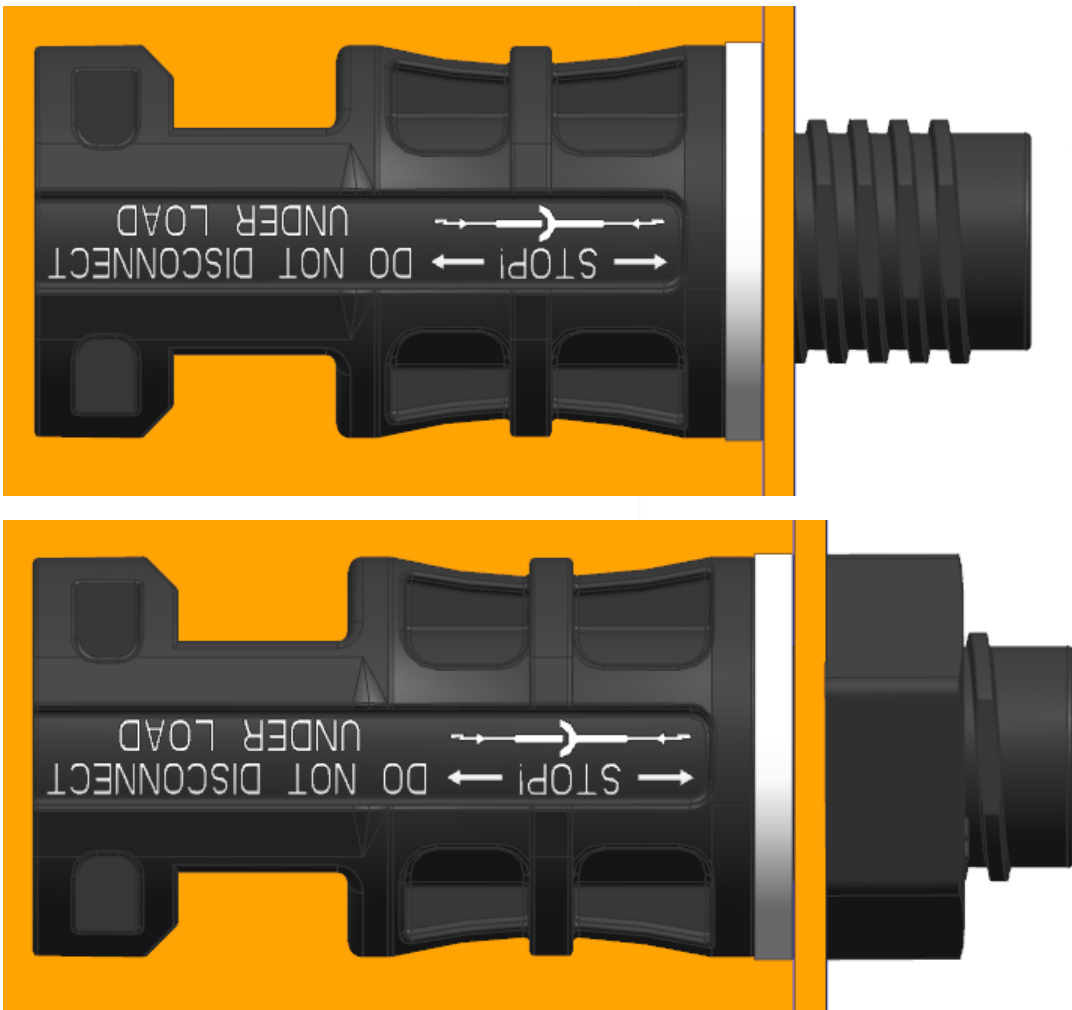
技术参数 Technical parameters

产品名称/Name:	PV-HCB40p
额定电压/Rated voltage:	1500V
线径规格 / Cable specifications:	4/6mm ²
保护等级/Protection level:	IP65/IP68(1m, 1h)
额定电流/Rated current:	46A for 4mm ² 54A for 6mm ²
接触电阻/ Contact Resist ions:	≤0.35mΩ
温度范围 /Temperature range	-40°C ~ +85°C
电气连接/Electrical connection:	铆接Riveting

使用方法 Method Of Application

1) 接头后端沿板圆孔处塞入，同时螺母旋入接头上（如下图所示）。

Back along the plate hole into the joint, Meanwhile the nut is inserted into the cable and screwed into the connector (as shown below).

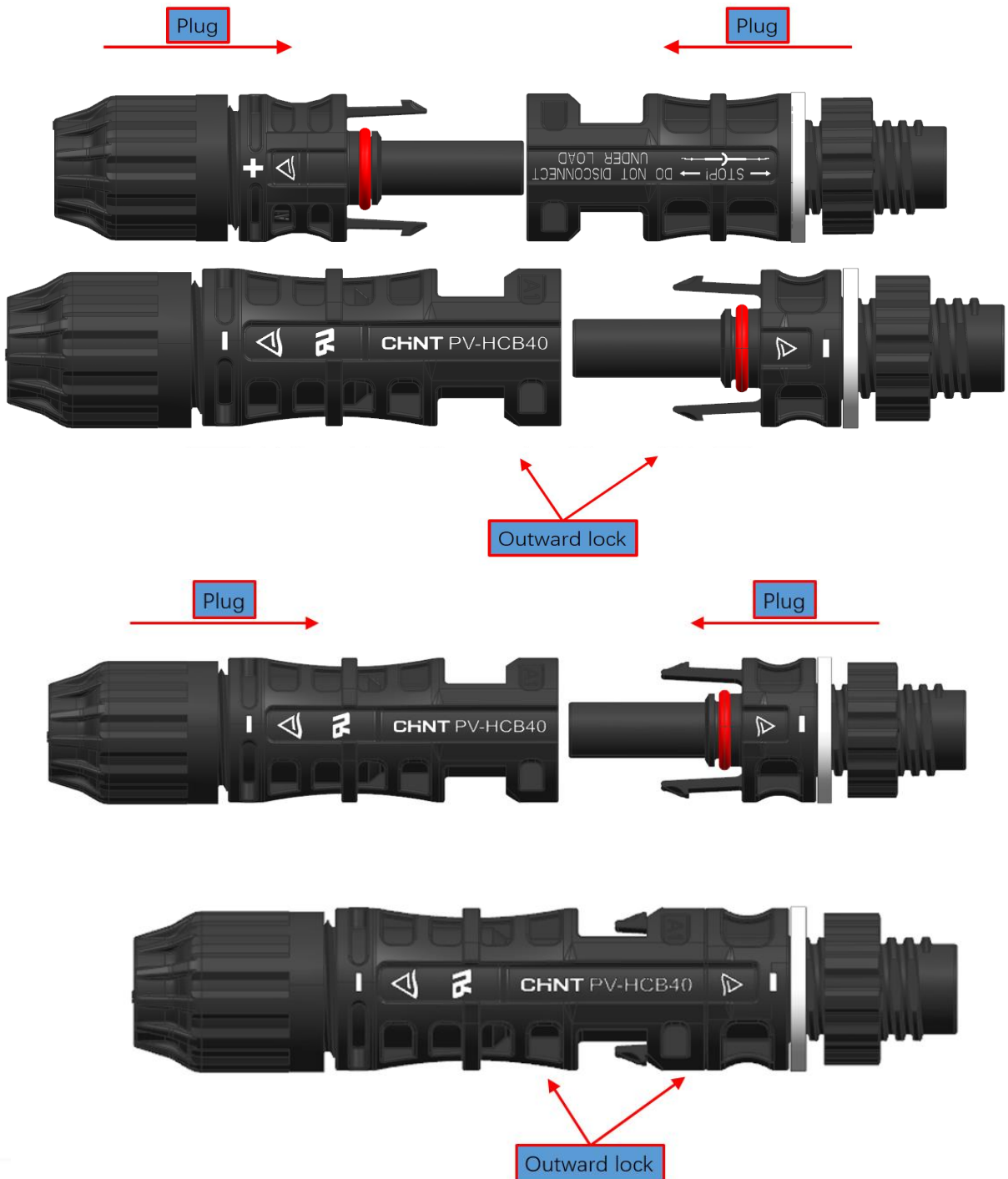


2).用开锁扳手卡紧连接器前端，18号卡口扳手旋紧螺母。（如下图所示） .
Clamp the front end of the connector with the unlocking wrench, and tighten the nut with the 18 bayonet wrench (as shown in the figure below)



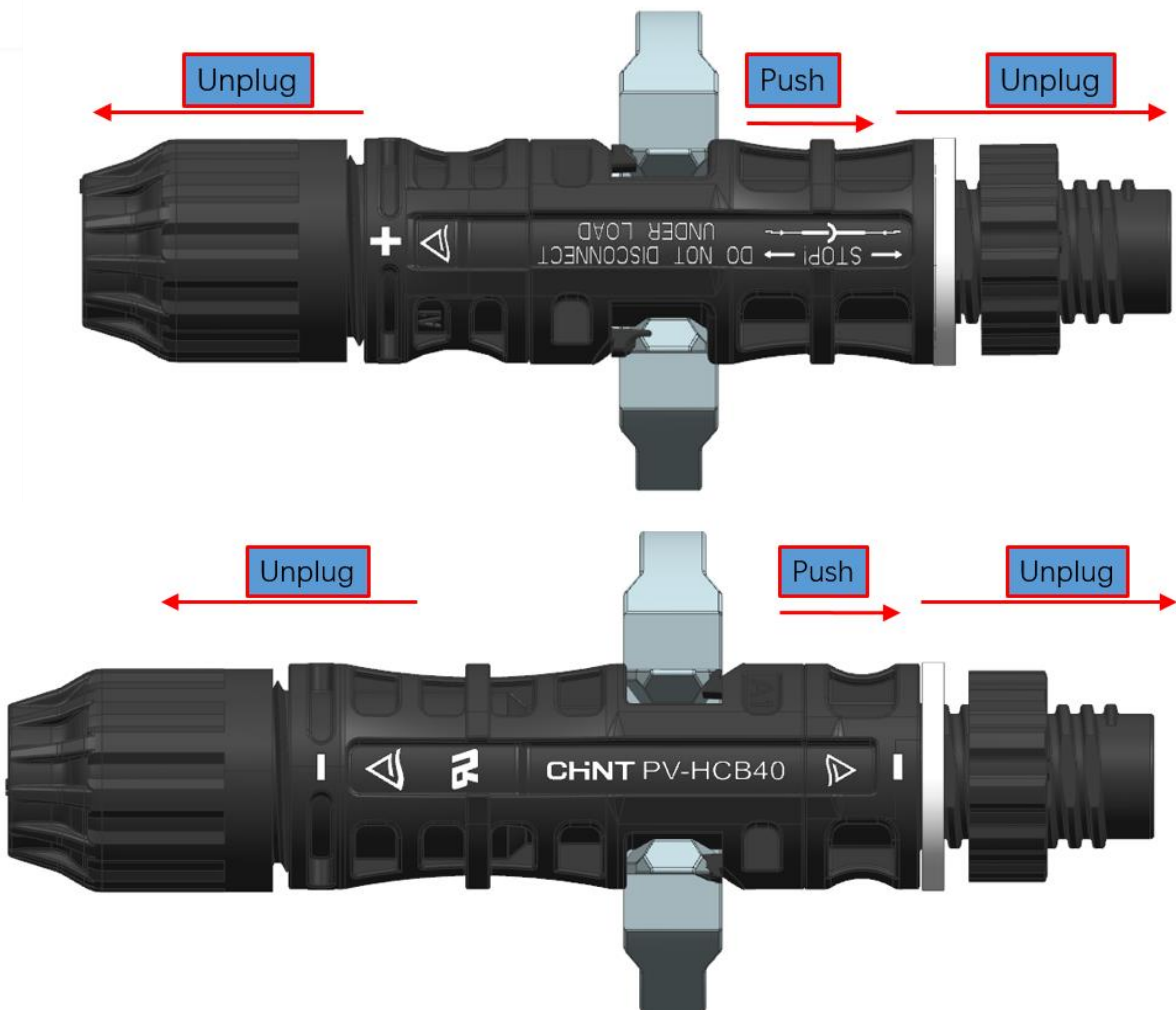
3) 把各自对应的连接器插入HCB40p正负连接器。

Insert the corresponding connectors into the HCB40p positive and negative connectors.



4) 把专用工具/HCB40p专用工具插入连接器扣位处往后推，同时正负连接器往相反方向拉就可打开连接器。

Insert the MC special tool (PV-MS-PLS/2) into the connector button and push back, while the positive and negative connectors can be pulled in the opposite direction to open the connector.



备注：

1. “在负载的情况下，连接器不允许断开”，此警告标志印在连接器表面。安装过程中线缆抗拉、抗扭力不违反操作和标准，线缆不得与连接器成90°垂直拉扯，线缆与连接器抗拉力 $>150\text{N}$ 。如果客户使用我公司连接器匹配市场上劣质的连接器、型号不匹配的连接器的后出现质量事故，我公司概不负责，谢谢！
2. 连接器不允许与任何油性物质接触。

Remark:

1. Connectors must not be disconnected under load, this warning sign is printed on the connector surface. During installation, the cable is tensile and resistant to torque and does not violate operation and standards, The cable cannot be pulled vertically at 90 degrees with the connector, Tensile resistance of cables and connectors $>150\text{N}$. our company will not be responsible for any quality accident if our customers use our connector to match the inferior connectors and mismatched connectors in the market. Thank you!
2. The connector shall not be in contact with any oily substance.